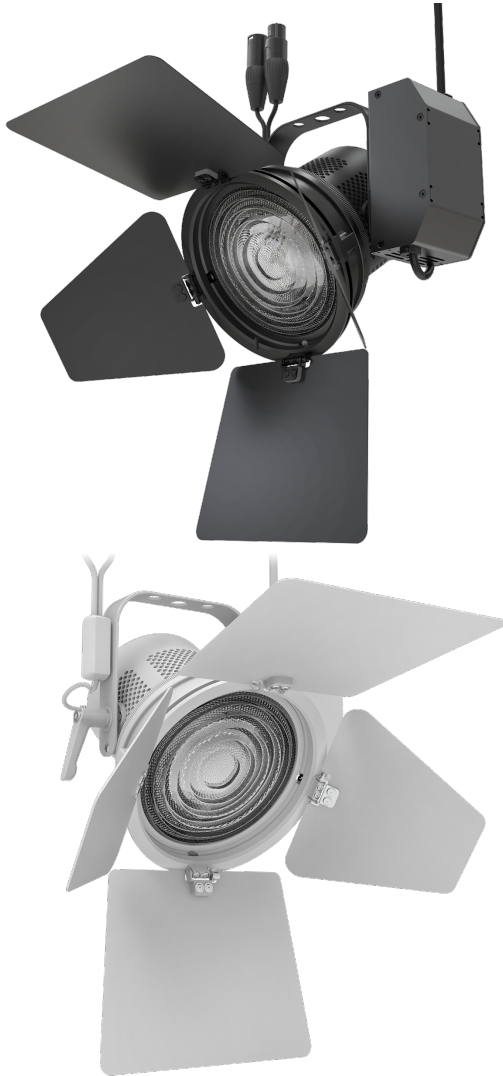


# P3F Fresnel Light (Clamp)

90W LED/ 15°- 45°



- Cine-Grade Light Quality
- Point-Source LED
- DMX Controllable
- 90W Power Draw
- Compact (< 8" of Vertical Space)

## ORDERING GUIDE

**FLXP3F** -  -  - **CLP** - **PSV** -

### Mode

<b>CLR</b>	All Modes
<b>EZ</b>	All EZ Modes
<b>RGB</b>	RGB Mode Only
<b>CCT</b>	Tunable CCT Mode Only
<b>3200</b>	Fixed 3200K
<b>5600</b>	Fixed 5600K

### Finish

<b>WH</b>	White
<b>BK</b>	Black

### Mount

<b>CLP</b>	Clamp Mount
------------	-------------

### Power Supply & Control

<b>PSV</b>	Power Supply
------------	--------------

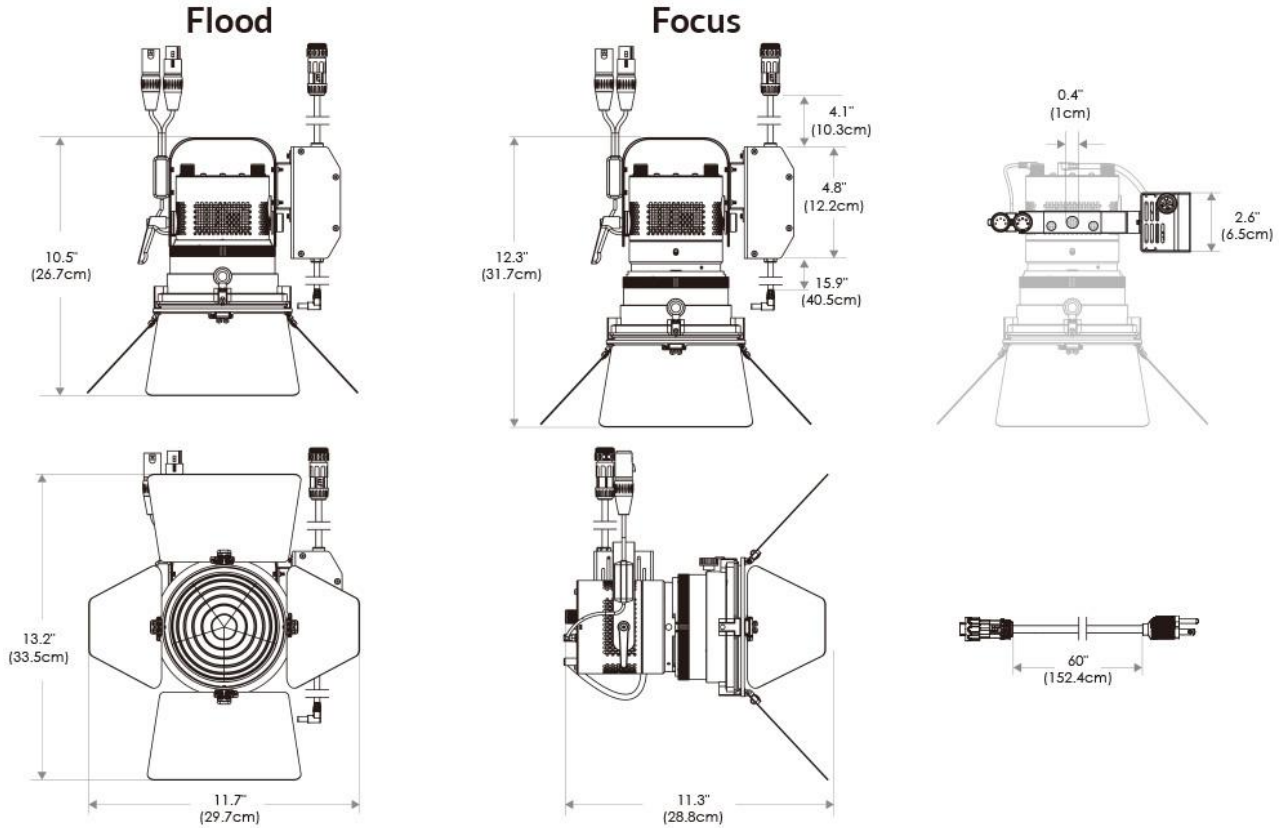
### Plug/Connection

<b>US</b>	US 120V
<b>EU</b>	EU 220V

## SPECIFICATIONS

Beam Angle	15°- 45°
CRI / TLCI	95/90 typical (in CCT Mode of 2800K-6500K)
Dimming	100% - 0% flicker free
Power Draw	90W max
AC Input	100 - 240V AC, 50 - 60Hz
Remote Control	DMX 512
Cooling	Fan Cooled
Acoustic Noise	23 dBA
Operating Temp.	32 - 104°F (0 - 40°C)
Weight (Fixture + Power Supply)	4.4lb / 2.0kg

## MECHANICAL FIGURES

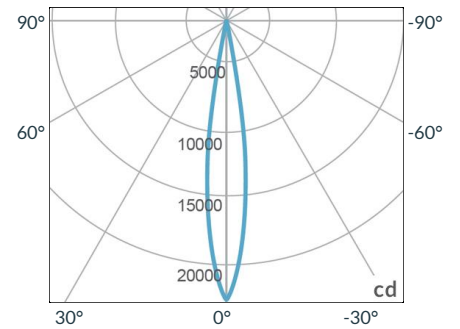


## PHOTOMETRIC DATA

### Focus

Distance		3' (~0.9 m)	10' (~3.0 m)	15' (~4.6 m)
@3200K	fc	2522	237	119
	lux	27147	2552	1281
@5600K	fc	2606	245	123
	lux	28051	2638	1324
Beam Diameter		Ø 2.3' (~0.2m)	Ø 7.5' (~0.8m)	Ø 11.3' (~1.2m)

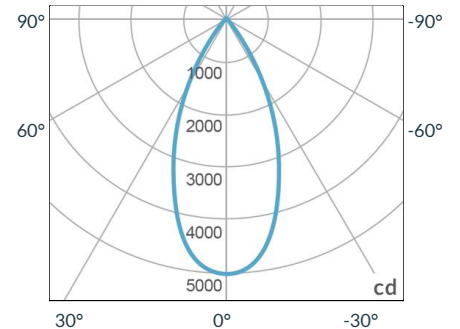
Beam Angle : 15°



### Flood

Distance		3' (~0.7 m)	10' (~2.6 m)	15' (~3.4 m)
@3200K	fc	529	53	30
	lux	5695	571	323
@5600K	fc	564	55	31
	lux	6071	593	334
Beam Diameter		Ø 2.3' (~0.7m)	Ø 8.6' (~2.6m)	Ø 11.3' (~3.4m)

Beam Angle : 45°



**MODE DESCRIPTION**

Mode Description	Available Modes
- CLR	All Modes (8 bit and 16 bit)
- EZ	All EZ Modes (8 bit) (EZ CCT / EZ HSI / EZ RGBW / EZ RGB / EZ ICTHS / EZ ICT RGBW / EZ 3200K / EZ 5600K)
- RGB	EZ RGB (8 bit)
- CCT	EZ CCT (8 bit)
- 3200	EZ 3200K (8 bit)
- 5600	EZ 5600K (8 bit)

See Downloads portion of webpage for full DMX profiles